

# Take the First Steps to Adding Beauty



## The steps.

We were the first to make stairs for vinyl-lined pools, way back in 1972. They're extremely durable. Easy to clean and maintain. And, available in a wide variety of sizes and styles.

Our Acrylic/Fiberglass stairs are inherently rigid and strong. Acrylic and fiberglass stairs are vacuum-formed from a single

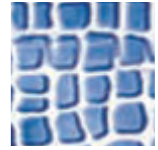
piece of snow white acrylic then hand laid with multiple layers of fiberglass for unsurpassed structural support; the strength is built into the stair itself.

Thermoplastic stairs are flexible and extremely durable. Co-extruded and vacuum-formed from a single sheet of ABS supported BASF Luran®S ASA is a weatherable polymer, which means the Durastep™ is 100% non-corrosive to withstand the elements. Ask about our gray and blue marble steps that coordinate with our Spill-Over Spas and select vinyl liner patterns.

Choose an entry into your pool that suits your style and pool shape. Consult your dealer for a complete selection.

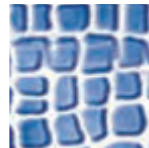


# More Options. . . STEEL Steps

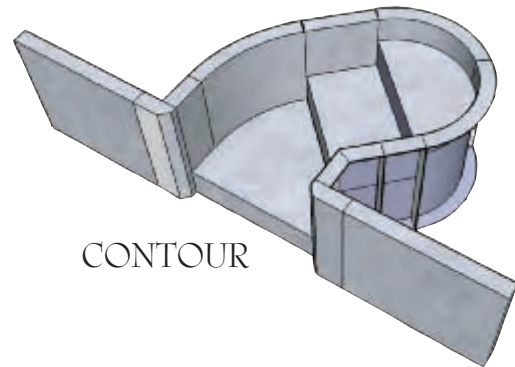


Like our steel wall panels, steel stairs offer unparalleled strength and durability. Crafted from 14-gauge copper bearing steel, these stairs are coated with a heavy zinc galvanization. The wide flange on the top and bottom of the panel assures a structure that is stable and strong.

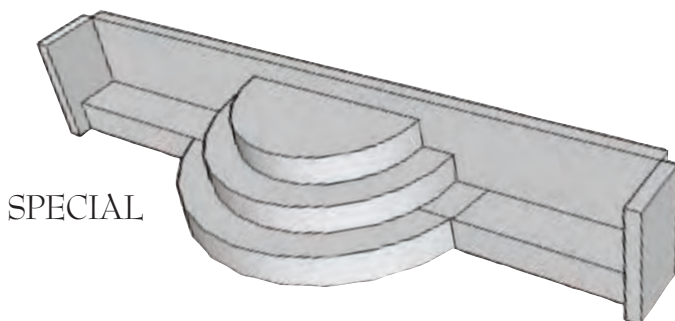
The ability to custom design your step is an appealing benefit. The continual appearance of the vinyl liner over the step offers even more appeal. Discuss your options with your dealer to create your perfect poolscape.



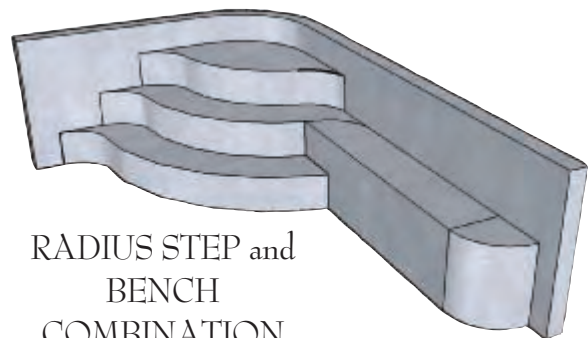
Share your ideas...  
we can make them real!



CONTOUR



SPECIAL



RADIUS STEP and  
BENCH  
COMBINATION

Due to their intricate design, some liner patterns may not match up with 100% precision on pools with steel steps. Please consult your dealer about which liner designs are best for pools with this type of step.

# Wedding Cake Steps

These versatile, easy-to-install steps fit all vinyl liner pools.

Perfect for pool renovations!

The molded shell makes for a consistent liner installation and fit, plus it's totally non-corrosive, non-abrasive and non-stressful.

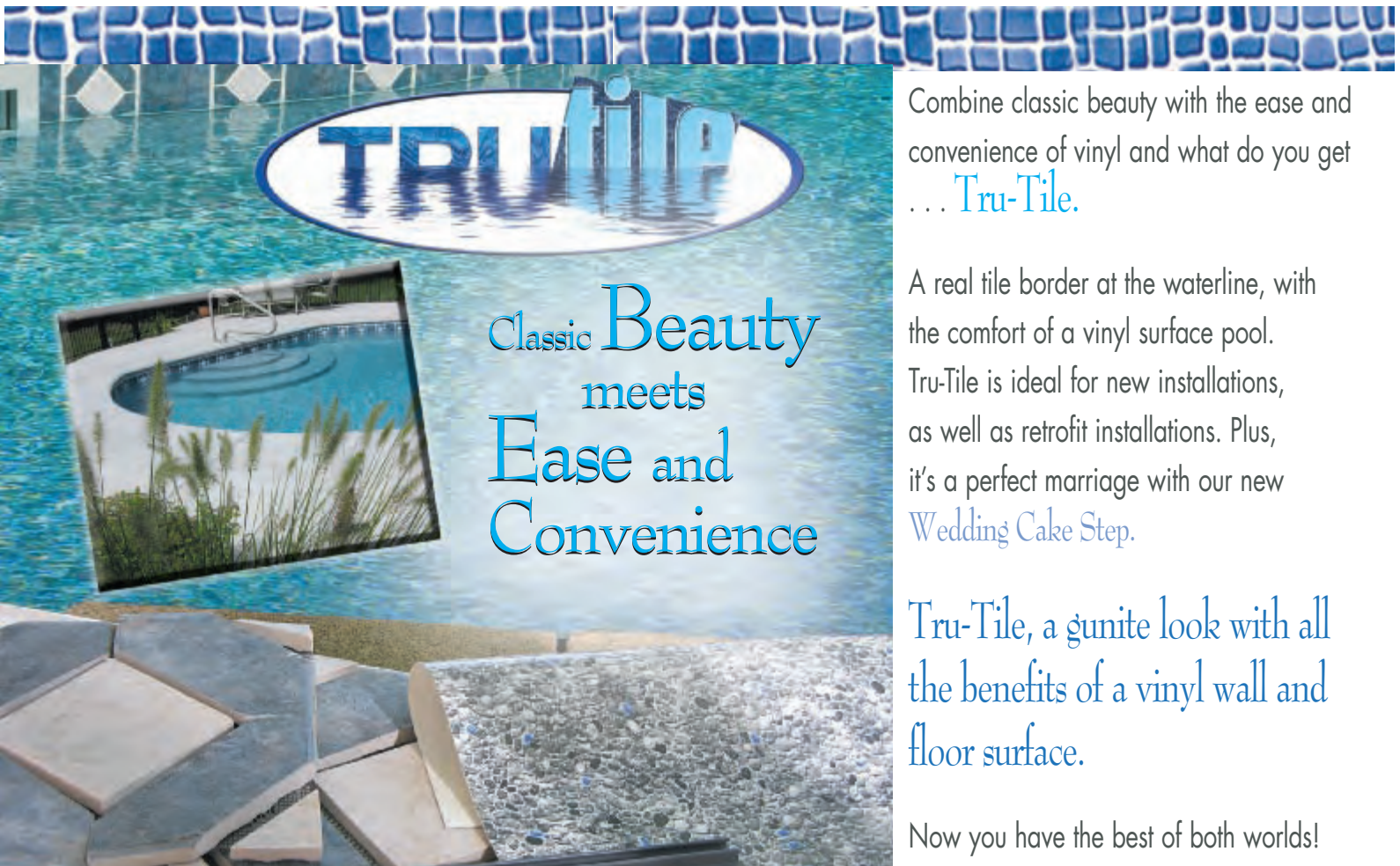
Not to mention, it can be installed in less than an hour!

Add **pizzazz** to old and new pools!



Available in eight models:

- 180° straight
- 2' radius corner
- 6" radius corner
- 8'6" radius
- 9' radius
- 10' radius
- 11' radius
- 90° corner



Classic Beauty  
meets  
Ease and  
Convenience

Combine classic beauty with the ease and convenience of vinyl and what do you get . . . **Tru-Tile.**

A real tile border at the waterline, with the comfort of a vinyl surface pool. Tru-Tile is ideal for new installations, as well as retrofit installations. Plus, it's a perfect marriage with our new Wedding Cake Step.

Tru-Tile, a gunite look with all the benefits of a vinyl wall and floor surface.

Now you have the best of both worlds!